

IKA® subsidiaries world-wide



IKA®-WERKE GMBH & CO. KG
Janke & Kunkel Str. 10
D-79219 Staufen
Tel. 49 (0) 76 33/831-0
Fax 49 (0) 76 33/70 87
E-Mail: process@ika.de
Internet: www.ikaprocess.com





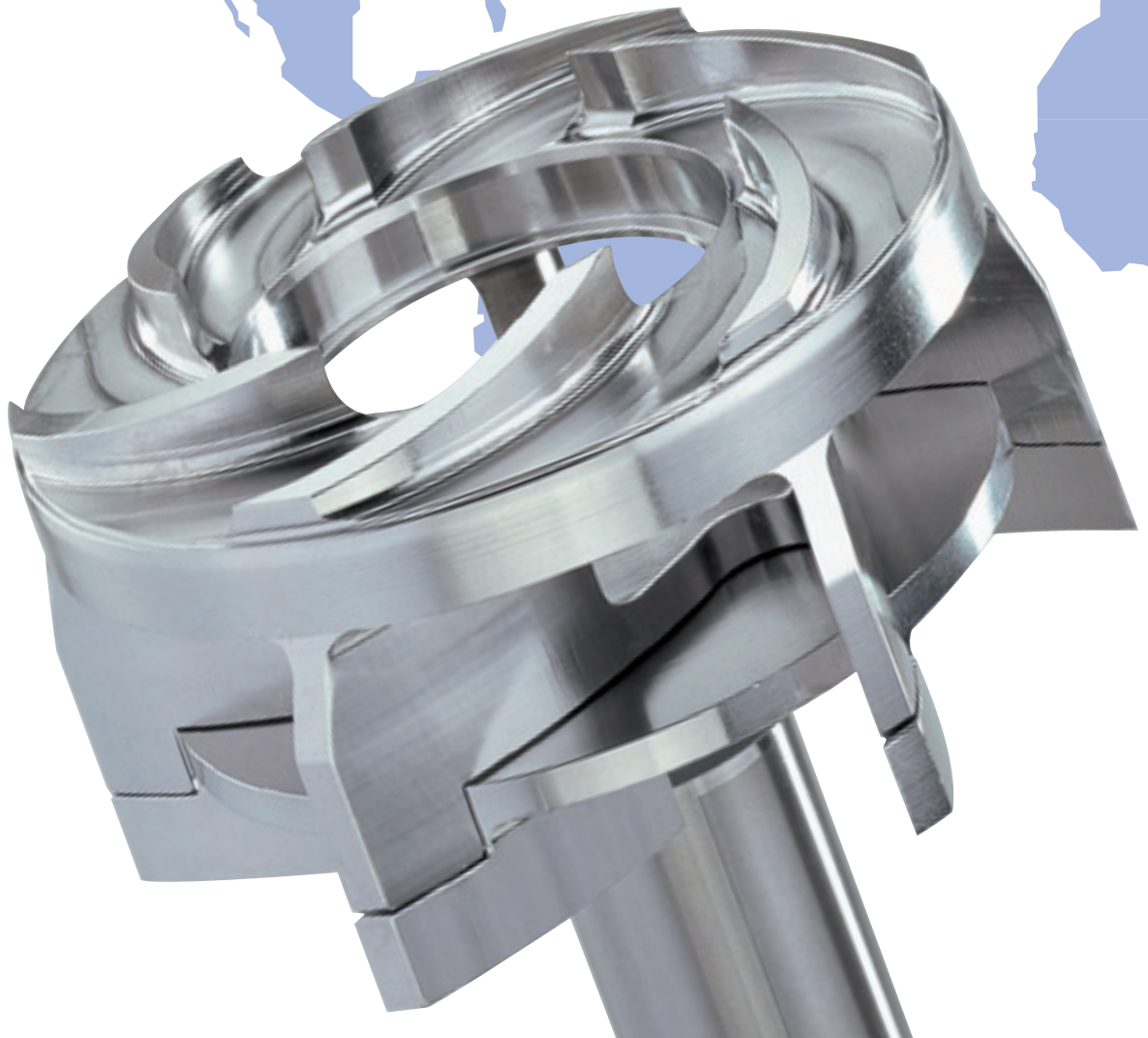
Competence and Technology



**Designed
to work perfectly**

Location

**Process Equipment,
Laboratory Technology and
Analyzing Technology** –
the three fields, in which
IKA®-WERKE is combining
tradition, innovation and highest
technical quality.





The IKA® group

Success by creativity

IKA®-WERKE is a leading manufacturer for process equipment as well as in laboratory and analyzing technology with world-wide subsidiaries. During decades we built up a close and trustful relation to our customers all over the world. This is based on the high quality of our products and on the close co-operation with our customers when developing machines and plants as well as solving special complicate tasks. Machines pointing the way to the future, for which **IKA®** has several times been awarded with innovation prizes, are resulting from these requirements.

The product range of the three business fields leads from the laboratory stirrer over analyzing equipment to production size machines for dispersing, stirring and kneading up to complex, individually designed plants.

IKA® – a big name for high quality products and services for the global market.

Approx. 300 employees are working in the head quarter in Staufen in the south-west of Germany. Approx. 80 of them in the process technology division are importantly contributing to the success of the **IKA®** group. The **IKA®** machines and laboratory equipment produced here are in a leading position world-wide regarding function and design.

Established in 1985, **IKA® Works** in Wilmington, North Carolina is the bridgehead for the **IKA®** company group in North-America. More than 60 employees develop and produce **IKA®** quality for the North-American market.

Established in 1995, **IKA® Works (Asia)** in Kuala Lumpur, Malaysia is responsible for the complete Far East with about 50 employees.

IKA® China in Guangzhou, 220 km north-west of Hongkong, was founded end of 1998. This is our production location for the Chinese market.

As youngest member of the **IKA®** company group **IKA® India Private Limited** was established in Bangalore in 2009. This subsidiary is selling **IKA®** products on the Indian market at domestic price level. It has manufacturing facilities, an engineering and design office, as well as an application centre.





The basis for today's company was already laid in 1910 with the establishment of the laboratory equipment manufacturer Janke & Kunkel in Cologne. In 1942 the company moved to its actual location in Staufen at the foot of the Black Forest in the triangle Germany – France – Switzerland. In 1950 the manufacture of industrial production machines was started.

The process equipment division of **IKA**[®] exists since 1980 and successfully established in the market. Today the company with head office in Staufen is globally acting with subsidiaries in the USA, Malaysia, China, Brazil, Japan and India.

Local presence is prerequisite for world-wide successful competition and basis for further growth in all three business fields.



Process Equipment

During the past decades the process equipment division of IKA® worked hard to reach a leading position in the technology for dispersing and kneading as well as the respective plant construction. This lead was stabilized and increased by innovative technology.

Our high-quality stirring, mixing and kneading machines are especially requested in the pharmaceutical, chemical, food, colour and dye, cosmetics as well as plastics industry.

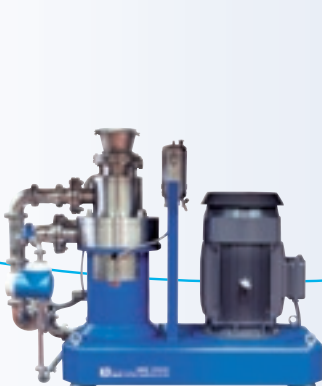
Laboratory Technology

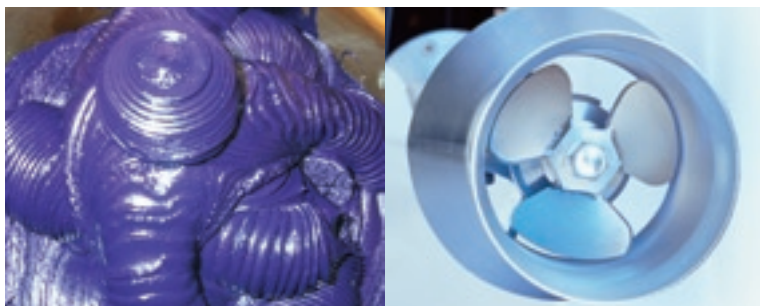
IKA® is standing undisputedly on the first place of the world-wide ranking for laboratory technology. Numerous innovations prove the increasing dynamics of the company.

IKA® was awarded with many design and innovation prizes, among others with the "Design Innovation 2000 with the red ribbon for the highest design quality". Even in the strongly disputed US market IKA® Works USA is well established. Mixing, particle size reduction and heating/cooling technology, that's IKA®.

Analyzing Technology

Analyzing technology is closely connected to laboratory technology. Also this division of the IKA® group is ranging among the "Big Ones" of the international laboratory experts in the fields of calorimeters, oxidation decomposition and element determination. In this business field, same as in the two others, the leading position in the world market could even be increased during the last years.





The process equipment division is divided into the three complementary fields dispersing/stirring, kneading and plant construction.

IKA® is offering the complete range from the single machine via modular construction systems up to complete plants. We make great demands on functionality, technique and also the esthetic appeal of our machines. **IKA®** products are world-wide known for their high quality.

In close co-operation and agreement with our customers we are working on the optimization of process procedures by carrying out test series in our well equipped pilot plant. We are then in the position to offer an individual solution for their problem.

IKA® is offering everything from one hand – from machine conception via development of prototypes up to the construction of production size machines and after-sales service. Big manufacturers of brand-name products appreciate this fact and daily rely on **IKA®** machines and plants for their production.





Dispersing/stirring

IKA® offers the complete range:

- Dispersing and stirring in batch operation
- Continuous dispersing in inline-operation
- Dispersing in sterile production areas

The IKA® machine program offers professional solutions for stirring and dispersing in the fields of (extract): emulsifying, suspending, homogenizing, solving, decomposition, neutralization, disagglomeration, extraction and precipitation.

Kneading

The IKA® kneading processes:

- Vertical kneading
- Horizontal kneading
- Continuous kneading

For production of high-viscous materials in the fields of (extract): plastics and rubber, technical ceramics, dental masses, sealing masses, fillers, glues, lubricants, lacquers and colours, food and luxury food, animal food, etc.

Plant construction

Besides the program of single machines IKA® also offers complete plants with all peripheral equipment. Even all additional process steps like dosing, heating/cooling, evacuation, measuring, control and discharge are fully automatic controlled and stored via process control systems.

We manufacture for example plants for the production of cough mixture, gelatine capsules, baby food, creams, ointments, lotions, sauces, dressings, detergents, etc.

